

# Heated Holding/Proofing Cabinets with Clear Door



Designed to keep all your freshly cooked food items hot until they're ready to serve, these heated holding/proofing cabinet help ensure your restaurant, diner, or bakery is always prepared for high volume meal periods.

- Heat mode with 9 adjustable settings
- Lexan clear door with magnets and tight-fitting gasket
- Integrated easy-to-read LED display on removable bottom control drawer
- (4) 5" casters for excellent mobility
- UL and NSF listed



## HEAT1836 - Full Size Non-Insulated Heated Holding Cabinet with Clear Door

### Description

Designed to keep all your freshly cooked food items hot until they're ready to serve, this full size non-insulated heated holding cabinet helps ensure your restaurant, diner, or bakery is always prepared for high volume meal periods. Boasting nine adjustable holding settings and a heat mode that can reach 185 degrees Fahrenheit, this cabinet is perfect for storing a wide variety of ready-to-serve dishes.

A total of 36 pan slides accept full size 18" x 26" sheet pans, while a Lexan clear door provides outstanding impact and heat-resistance as well as allowing for easy monitoring of the contents inside. For valuable temperature protection, the door is paired with both magnets and a tight-fitting gasket to ensure the warm air inside does not escape. An easy-to-read thermometer for effortless temperature monitoring and a pair of dials is located on the unit's bottom control drawer that can also be removed for quick cleaning. Thanks to four 5" poly casters, this cabinet can be filled and moved from your prep location to the serving area with incredible ease, while integrated corner bumpers protect nearby walls and equipment during transport.

Requires a 120V electrical connection and comes with a cord and NEMA 5-15P plug. UL and NSF Listed.



### Technical Data

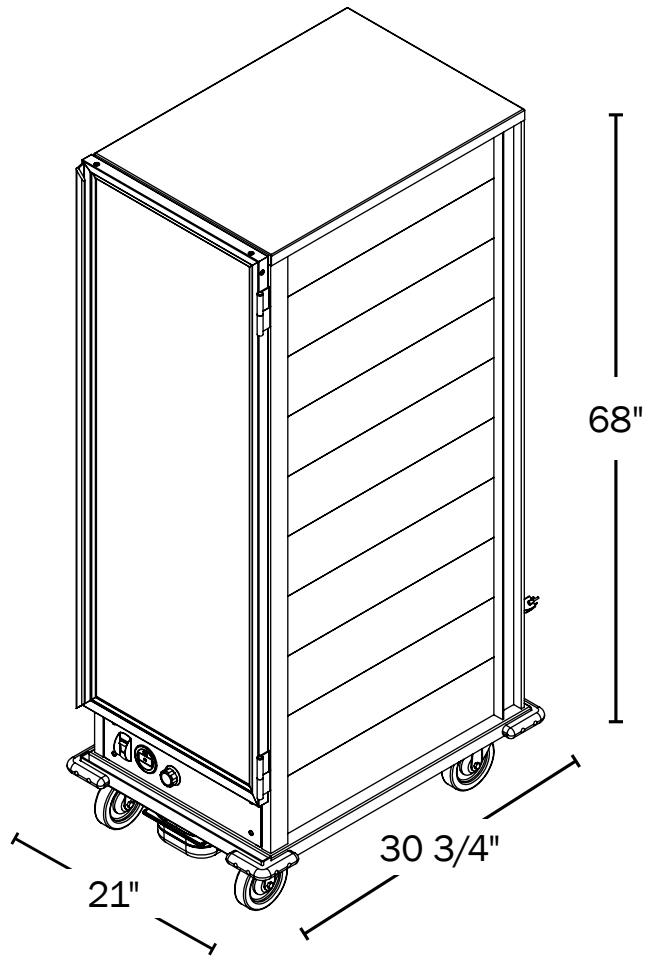
Dimensions	21"W x 30 3/4"D x 68"H
Watts	1,440W
Amps	12 Amps
Hertz	60
Voltage/Power	120V
18 x 26 Pan Capacity	36 Pans
Cabinet Size	Full Height
Control Type	Dial
Controlled Humidity	No
Insulated	No
Interior Configuration	Universal Slides
Temperature	185 Degrees Fahrenheit
Shipping Weight	133 lbs.

### Features

- Full size uninsulated design with (36) 18" x 26" sheet pan capacity
- Full heat mode with 9 adjustable temperature settings up to 185 degrees Fahrenheit
- Lexan clear door with magnets and tight-fitting gasket
- Heavy-duty aluminum construction
- Integrated easy-to-read LED display on removable bottom control drawer
- (4) 5" casters for excellent mobility
- 120V, 1440W; Includes cord with NEMA 5-15P plug
- UL and NSF Listed



Plan View



NEMA 5-15P